

ATOMSTACK A5 M Series Laser Engraver Installation Manual



- English
- Deutsch
- Français

note: (The picture is for reference only, the actual product shall prevail)

Version: V2.2

CE **FC** **RoHS** **FDA**   **MADE IN CHINA**



Part 1: Security Statment Before Installation

Before Using the laser engraving, please read this safety guide carefully, it mentions situations that require special attention and includes warnings of unsafe practices that can cause damage to your property or even endanger your personal safety.

1. This product is a laser engraver system components, must be installed in other manufacturers of laser engraver for use. And the product belongs to Class 4 laser products, the laser system itself must meet the requirements of IEC 60825-1 latest version, otherwise the product is prohibited to be used.
2. Your laser engraver shall have a protective housing which, when in place, prevents human access to laser radiation.
3. If a protective housing is equipped with an access panel which provides "walk-in" access then:
 - a) means shall be provided so that any person inside the protective housing can prevent activation of a laser hazard that is equivalent to Class 3B or Class 4.
 - b) a warning device shall be situated so as to provide adequate warning of emission of laser radiation equivalent to Class 3R in the wavelength range below 400 nm and above 700 nm, or of laser radiation equivalent to Class 3B or Class 4 to any person who might be within the protective housing.
 - c) where "walk-in" access during operation is intended or reasonably foreseeable, emission of laser radiation that is equivalent to Class 3B or Class 4 while someone is present inside the protective housing of a Class 1, Class 2, or Class 3R product shall be prevented by engineering means.

NOTE Methods to prevent human access to radiation when persons are inside the protective housing can include pressure sensitive floor mats, infrared detectors, etc.

- 4.** The laser itself has a protective cover, the protective cover is fastened by screws. When the laser is installed on the laser engraver, the protective cover should be checked to be reliably locked, and can not be removed in the energized state.
- 5.** The housing of the laser engraver should have an interlock function. When the housing is opened or removed, the laser can be automatically turned off.
- 6.** The laser engraver should have an emergency stop button, which can immediately stop the output of the laser when pressed under unexpected circumstances.
- 7.** The laser engraver should have a reset button, which can resume work under the condition of confirming safety after lifting the interlock or emergency stop.
- 8.** Laser engraver should use physical keys, dongle, password system and other ways to manage and control, to prevent personnel without security training operation of this kind of equipment.
- 9.** On the laser engraver any window or channel that can actively observe or passively receive the laser radiation should be set up warning marks.
- 10.** If the laser burns the skin or eyes, please go to a nearby hospital for examination and treatment immediately.

Part 2: User Security Statement

Laser Light can damage the human eyes and skin. Do not expose the eye or skin to laser light directly. This Laser product has an optical lens and emits a collimated laser beam. The light from this product, both direct and reflected, is very harmful as it can propagate a long distance while maintaining high optical density. When handling the product, **wear appropriate safety glasses (OD5+)** to protect eyes from laser light including reflected and stray light. The reflected and stray light spilling into an unintended area should be attenuated and/or absorbed.

2.1 Laser safety

We installed a laser shield on the laser, the shield can largely filter out the diffuse reflection of the laser spot. However, when using laser engraving machine, it is recommended that you wear laser protective glasses. Avoid skin exposure to type 4 laser beams, especially at close range. Teenagers must have parental supervision in the process of using it. Do not touch the laser engraving module when the machine is on.

2.2 Fire Safety

Because cutting burns off the substrate, a high-intensity laser beam generates extremely high temperatures and a lot of heat. Certain materials can catch fire during cutting, creating gases and fumes inside the equipment. A small flame usually appears here when a laser beam hits the material. It will move with the laser and will not stay lit when the laser passes by. **Please do not leave the machine unattended during the carving process.** After use, be sure to clean up debris, debris and flammable materials in the laser cutting machine. Keep a working fire extinguisher nearby at all times. Smoke or air pollutant safety. When laser engraving machines are used, smoke, vapour, particles, and potentially highly toxic materials (plastics and other combustible materials) are produced from the material. These fumes or air pollutants can be hazardous to health.

2.3 Material safety

Do not engrave materials with unknown properties. Materials Recommended: Wood, bamboo, leather, plastic, fabric, paper, opaque acrylic, glass. Materials not recommended: Metal, precious stones, transparent materials, reflective materials etc.

2.4 Use Safety

Use the engraver only in horizontal position and ensure that it has been securely fixed to prevent fires caused by accidental shifting or dropping from the workbench during work. It is forbidden to point the laser to people, animals or any combustible object, whether it is in working condition or not.

2.5 Power safety

To prevent accidental disasters such as fire and electric shock, the Engraver provides a power adapter with a ground wire. Plug the power plug into the power socket with a ground wire when using the Laser Engraver.

2.6 Environment safety

Please ensure the workplace must be cleared while assembling engraving and cutting no flammable or explosive materials surrounding the equipment. Have to set a metal plank under the bottom while engraving or cutting.

Part 3: Disclaimer and warning

This product is not a toy and is not suitable for people under 15 years of age. Do not allow children to touch the laser Module. Please be careful when operating in scenes with children.

This product is a laser module, visit <http://www.atomstack3d.com/laserengraverdownload> for complete "user manual" and the latest instructions and warnings. Shen zhen AtomStack Technologies Co., Ltd. (Atomstack) reserves the right to update this Disclaimer and Safe Operation Guidelines.

Please be sure to read this document carefully before using the product to understand your legal rights, responsibilities and safety instructions; Otherwise, it may bring property loss, safety accident and hidden danger of personal safety. Once you use this product, you shall be deemed to have understood, accepted and accepted all terms and contents of this document. User undertakes to be responsible for his or her actions and all consequences arising therefrom. User agrees to use the Product only for legitimate purposes and agrees to the entire terms and contents of this document and any relevant policies or guidelines that AtomStack may establish.

You understand and agree that AtomStack may not be able to provide you with the cause of the damage or accident and provide you with AtomStack's after-sale service unless you provide the original engraving or cutting files, engraving software configuration parameters used, operating system information, video of the engraving or cutting process, and operational steps prior to the occurrence of a problem or failure.

AtomStack is not liable for any and all losses arising from the user's failure to use the product in accordance with this manual, Without the guidance of the company's technical personnel, users are prohibited from disassembling the machine by themselves. If this behavior occurs, the loss caused by the user shall be borne by the user.

Atomstack has the ultimate right to interpret the document, subject to legal compliance. Atomstack reserves the right to update, modify, or terminate the Terms without prior notice.

Part 4: Installation Steps

Step1. Install the contour of the engraving machine

Step2. Install X axis assembly, control box and support frame

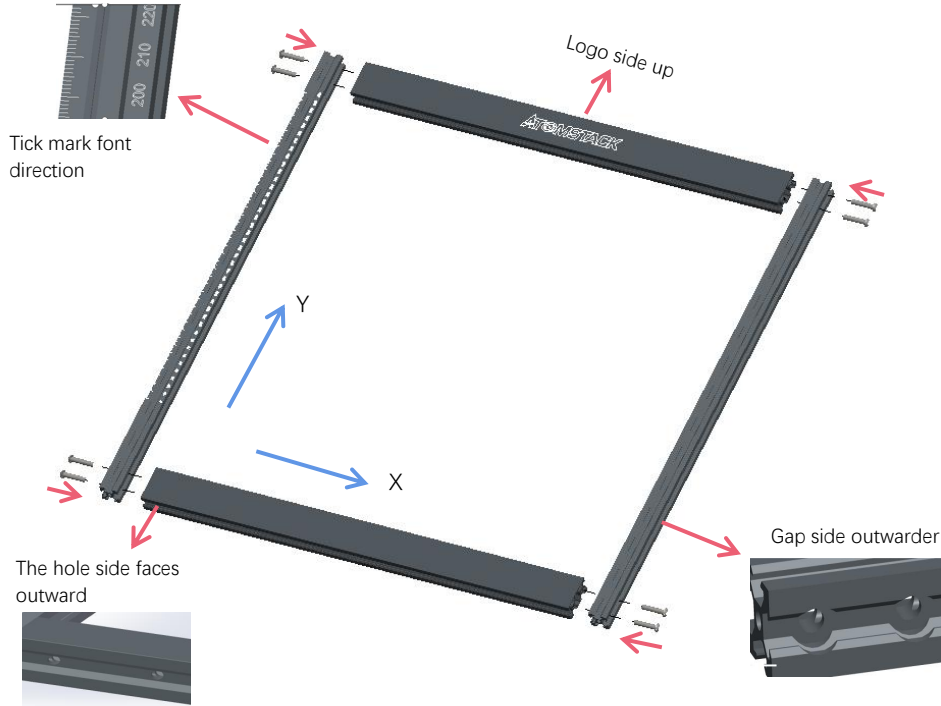
Step3. Install belt and aluminum profile end cap

Step4. Install laser and laser protective cover

Step5. Install the Y-axis limit column and adjust the X and Y-axis eccentric screws

Step6. Install the cable and fix the cable

Step 1



Step1 Required components:



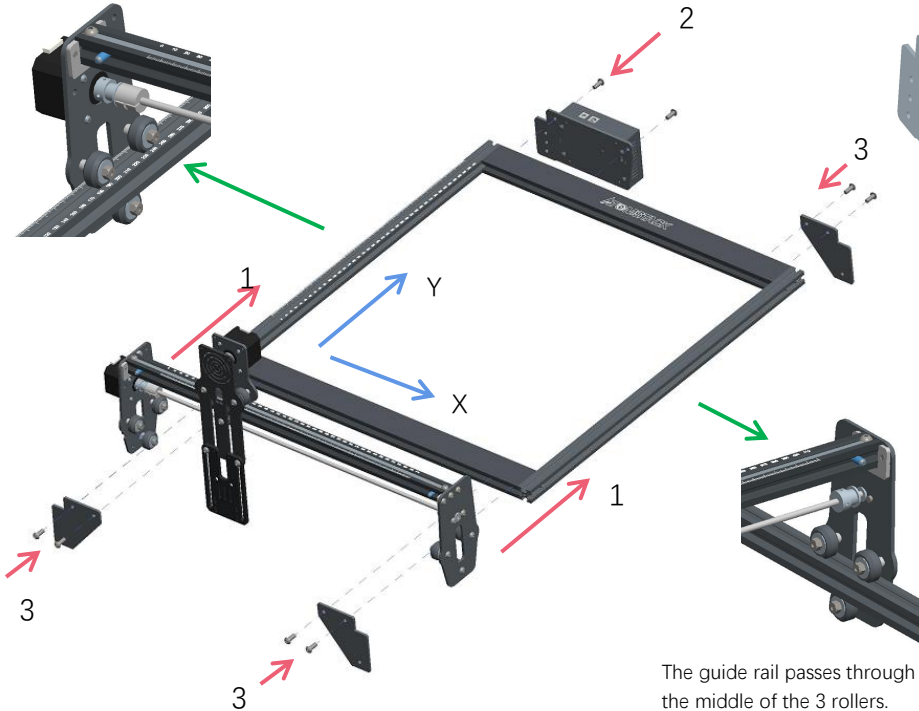
Installation Manual:

1. Find the four large profiles in the picture above, place the four profiles as shown, and pay attention to the direction of the profiles.
2. Tighten the M5 screw in the shaft, and judge whether you have installed it correctly through the enlarged view details.

Nota:

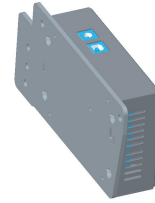
- a. Place the screws, but do not tighten them.
- b. Then tighten the screws diagonally.
- c. Tools required, M5 Allen key+M5 screws.

Step 2



The guide rail passes through the middle of the 3 rollers. Loosen the distance between the upper and lower guide wheels appropriately.

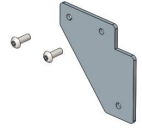
Step2 Required components:



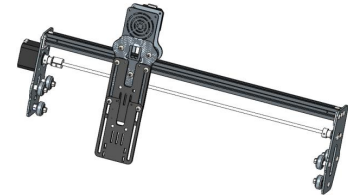
Control box *1



M5 screws*8



Support gasket *3

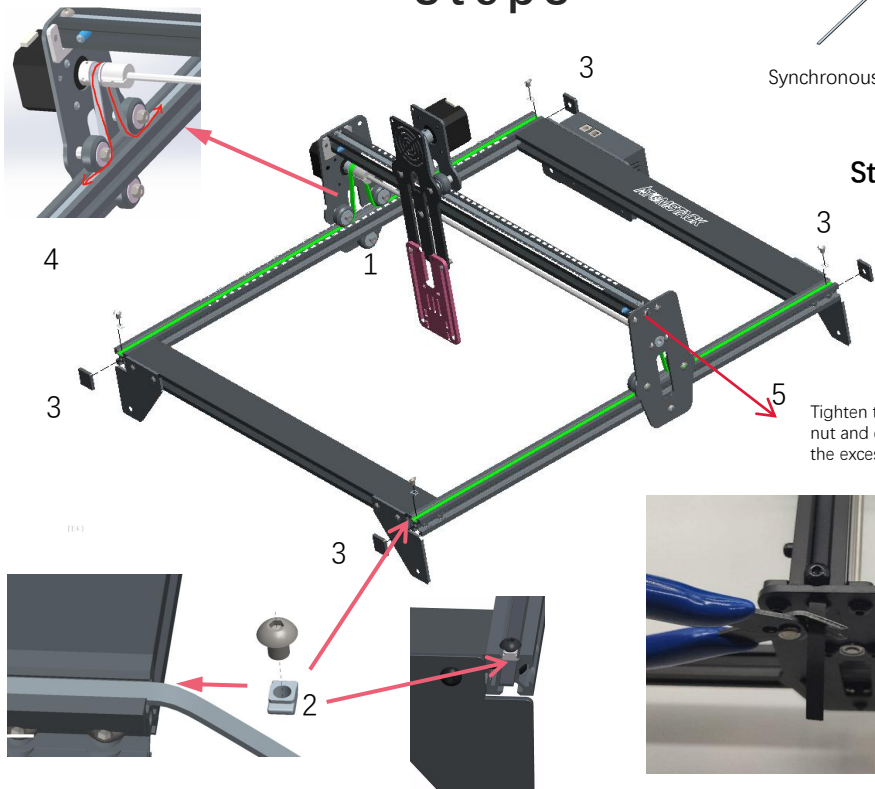


X-axis components*1

Installation Manual:

1. Push the X-axis component into the base frame in the direction shown in the figure. Adjust the eccentric nut appropriately.
2. Install the control box as shown.
3. Use an M5 Allen key to install 3 Support gasket.

Step 3



Synchronous belt *2



Profile end cover *4



Type T Nut *4



Type T Nut Lock screws*4

Step 3 Required components:



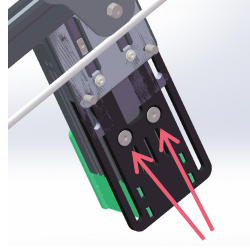
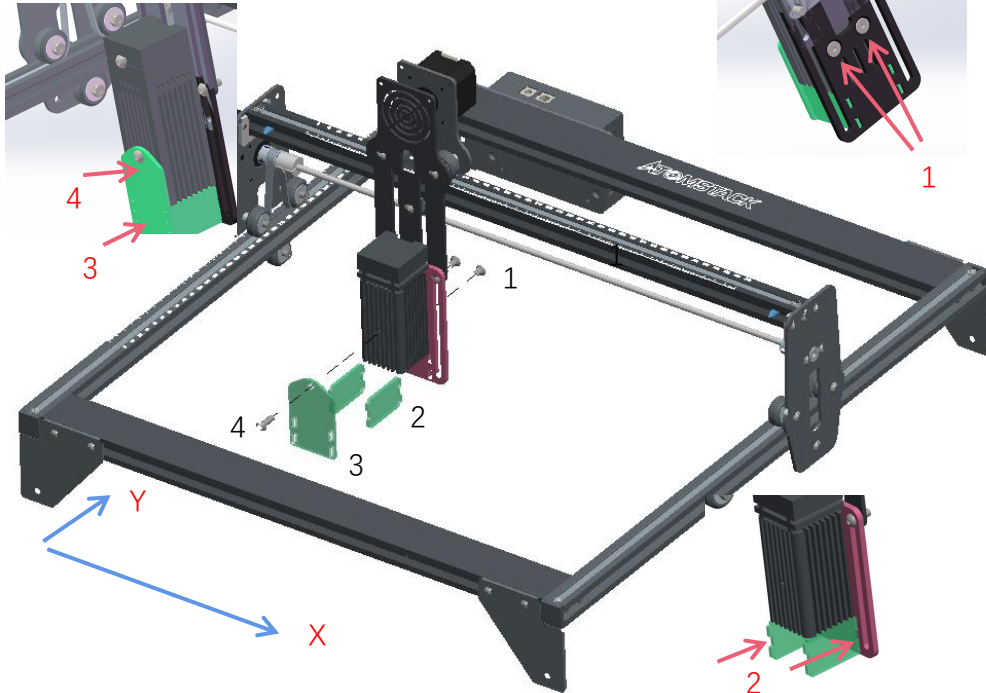
Installation Manual:

1. Install two synchronous belts as shown in the figure. First tighten one end with a T-nut, then pass the other end through the roller on the X-axis assembly as shown in the figure, and finally tighten the other end and fix it with a T-nut.
2. T-nut fixing method (Push the T-nut from the groove on the end of the profile, and then use the screw to tighten the T-nut), the T-nut is as close to the end of the profile as possible, and cut off the excess belt.
3. Cover the profile end cover (the side of the end cap with protrusions is facing down)

TIPS:

The installation of the Y-axis synchronous belt can refer to the installed synchronous belt on the X-axis assembly. Determine whether the timing belt is tight enough: press the position shown in Figure 4 with your fingers, and if there is no obvious deformation, it is tight enough. If the deformation is large, loosen one end of the T-nut and tighten the timing belt, and then tighten the T-nut.

Step4



Step4 Required components:



Step 4

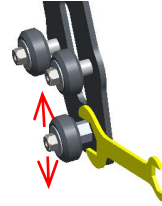
1 Screw M5*14	1 pcs
2 Front Protection Cover	1 pcs
3 Left and Right Protection Cover	2 pcs
4 Screw M5*10	2 pcs



Installation Manual:

1. Fix the laser head on the slider board with M5*10 countersunk head screws. The screws must be tightened.
2. Insert the green protective covers on the left and right sides.
3. Insert the front green protective cover.
4. Fix the front protective cover with M5*14 flat round head screws.

Step 5



Use a wrench to turn the eccentric nut to adjust the tightness of the guide wheel and the guide rail

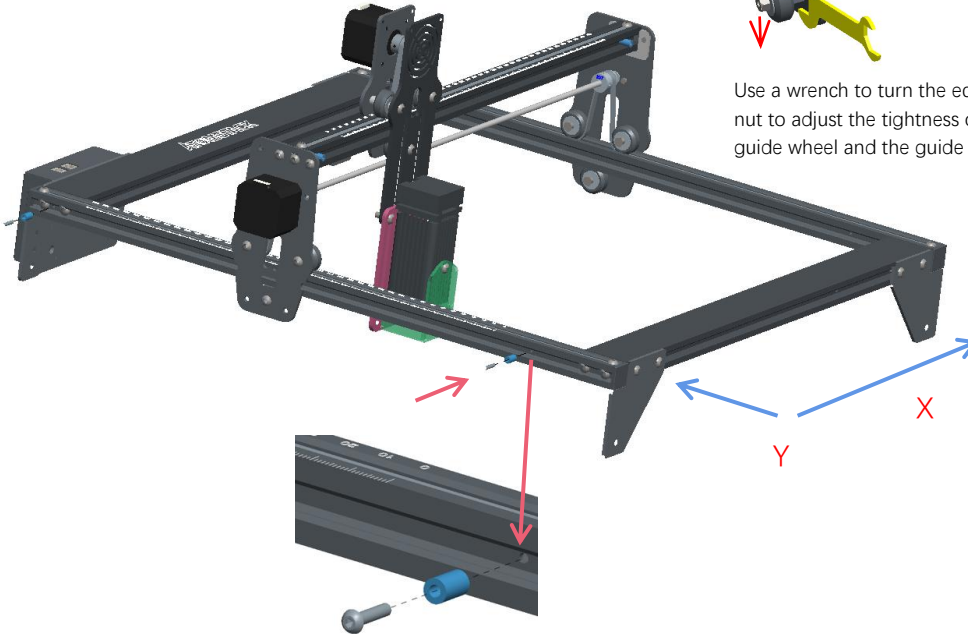
Step5 Required components:



M3*14Screw*1
(Pro: M3*14Screw*2)



Y-axis limit column *1
(Pro:Y-axis limit column *2)



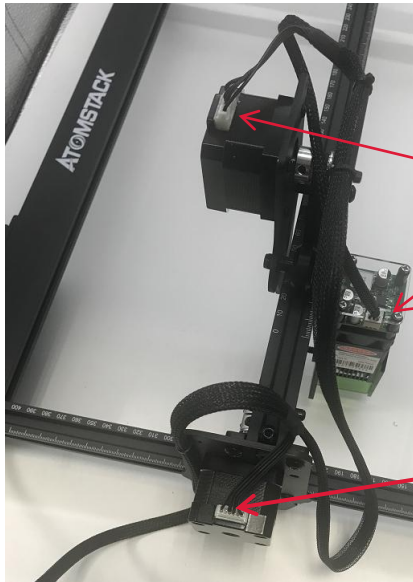
Installation Manual:

1. As shown in the figure, fix the Y-axis limit column with M3*14 screws on the left slide rail.
2. Adjust the eccentric nut to ensure that the X-axis and Y-axis move smoothly without shaking.

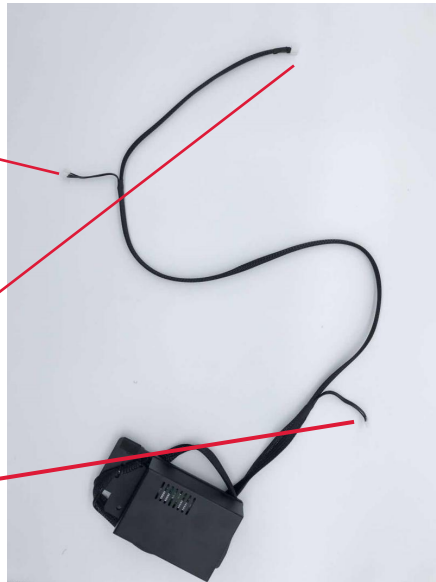
TIPS:

How to determine the tightness of eccentric nuts?
Under the condition of ensuring that the bracket does not shake, you can lift one end of the machine to an angle of 45 degrees with the horizontal plane, and release the X-axis or Y-axis bracket from a high place. If the bracket can slide at a constant speed to the end, the tightness is suitable.

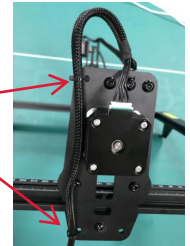
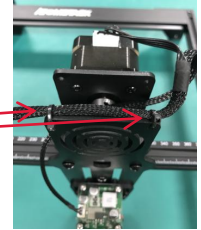
Step6 Installation of terminal blocks and cable bundle



1



2



Installation Manual:

1. Insert the three wire terminals as shown
2. As shown in the figure, tie the machine fixing hole and the cable bundle with a cable tie to prevent the wire terminal from loosening.

Software Installation

➤ 1. Atomstack currently supports LaserGRBL and LightBurn software.

➤ Windows OS only supports LaserGRBL, software Here is the download link: <http://lasergrbl.com/download/>

Mac OS supports the both of LaserGRBL and Lightburn, Here is the download link:

➤ <https://lightburnsoftware.com/pages/trial-version-try-before-you-buy>

➤ 2. If the engraving machine and the computer fail to connect, you need to update the driver. (For more information, please refer to the instruction manual), In LaserGRBL, click "Tools" > in turn. Install CH340 Driver "Update and install the Driver, restart the computer after the update, and then connect, as shown in the picture below.

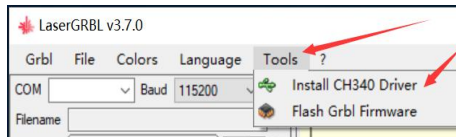


FIG. 1-1

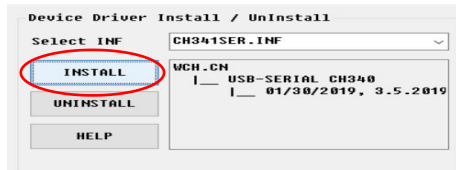
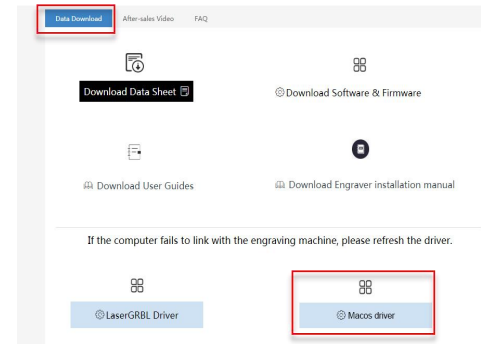


FIG. 1-2

To update the driver of MacOS, log in to the website <https://www.atomstack.net/pages/user-guides> and click to download the MacOS driver, as shown below.



Scan for multi-language instruction manual:



Scanner APP:
QR Code Reader
/Barcode Scanner
or any APP with scanner

Part 5: Maintenance instructions and warning

This product uses a highly integrated design and requires no maintenance. However, if the laser system installed with this product needs to be repaired or tuned, please:

Unplug the power cord on the laser, so that the laser is in a state of power failure;

If you need laser assistance for tuning, please:

All present personnel wear protective glasses, OD5+ protective glass is needed ;

Make sure there are no flammable or explosive materials around;

The position and direction of the laser are fixed to ensure that the laser will not accidentally move and shine on people, animals, flammable, explosive and other dangerous and valuable objects during debugging.

Don't look at lasers

Do not shine the laser on the mirror object, lest the laser reflection cause accidental injury.

Part 6: Precautions for common problems of engraving machine

1. Please select the correct COM port for connecting the software and equipment, and the baud rate should be selected: 115200, to ensure that the connection between the computer port and the USB cable is not loose. If you need laser assistance for tuning, please:
2. Before engraving, please confirm whether each mechanism is loose (synchronous belt, eccentric column of roller, and laser head are loose or shaken)
3. Correctly adjust the focus and confirm that the distance from the end of the laser protective cover to the engraving is 2mm.
4. LaserGRBL/LightBurn software can refer to the parameter table in the corresponding manual for engraving and cutting of different materials. The engraving of mirror metal requires manual surface blackening treatment.



Customer Service:

Ø For detailed warranty policy, please visit our official website at: www.atomstack.net

Ø For Laser Engraver technical support and service, please email: support@atomstack.net

Manufacturer: 202, Building 1, Mingliang Technology Park, No. 88 Zhuguang North Road, Taoyuan Street, Nanshan District, Shenzhen, Guangdong, China

Scan the code to enter the engraving machine discussion group



Scanner APPLICATION:
QR code reader
/ Barcode scanner
or any APP with scanner

ATOMSTACK A5 M-Serie Lasergravurmaschine Installation Anweisung



- English
- Deutsch
- Français

Hinweis: (Das Bild dient nur als Referenz, das tatsächliche Produkt hat Vorrang.)



MADE IN CHINA



Teil 1: Sicherheitserklärung vor der Installation

Bevor Sie die Lasergravur verwenden, lesen Sie diese Sicherheitsanleitung sorgfältig durch. Sie erwähnt Situationen, die besondere Aufmerksamkeit erfordern, und warnt vor unsicheren Praktiken, die Ihr Eigentum beschädigen oder sogar Ihre persönliche Sicherheit gefährden können.

1. Dieses Produkt ist eine Komponente eines Lasergraviersystems und muss zur Verwendung bei anderen Herstellern von Lasergraviergeräten installiert werden. Wenn das Produkt zu Laserprodukten der Klasse 4 gehört, muss das Lasersystem selbst die Anforderungen der neuesten Version nach IEC 60825-1 erfüllen. Die Verwendung des Produkts ist verboten.
2. Ihr Lasergravierer muss über ein Schutzgehäuse verfügen, das den Zugang des Menschen zu Laserstrahlung verhindert.
3. Wenn ein Schutzgehäuse mit einer Zugangsklappe ausgestattet ist, die einen "begehbaren" Zugang bietet, müssen:
a) Mittel vorhanden sein, damit jede Person im Schutzgehäuse die Aktivierung einer Lasergefahr verhindern kann, die der Klasse 3B oder entspricht Klasse 4.
b) Eine Warneinrichtung muss so angebracht sein, dass eine angemessene Warnung vor der Emission von Laserstrahlung der Klasse 3R im Wellenlängenbereich unter 400 nm und über 700 nm oder vor Laserstrahlung der Klasse 3B oder Klasse 4 an Personen gerichtet ist, die könnte sich innerhalb des Schutzgehäuses befinden.
c) Wenn ein „begehbare“ Zugang während des Betriebs beabsichtigt oder vernünftigerweise vorhersehbar ist, Emission von Laserstrahlung, die der Klasse 3B oder Klasse 4 entspricht, während sich jemand im Schutzgehäuse eines Produkts der Klasse 1, Klasse 2 oder Klasse 3R befindet durch technische Mittel verhindert werden. HINWEIS Zu den Methoden, die den Zugang von Menschen zu Strahlung verhindern, wenn sich Personen im Schutzgehäuse befinden, können druckempfindliche Fußmatten, Infrarotdetektoren usw. gehören.

4. Der Laser selbst hat eine Schutzabdeckung, die Schutzabdeckung ist mit Schrauben befestigt. Wenn der Laser auf dem Lasergravierer installiert ist, sollte die Schutzabdeckung auf zuverlässige Verriegelung überprüft werden und kann im eingeschalteten Zustand nicht entfernt werden.

5. Das Gehäuse des Lasergravierers sollte eine Verriegelungsfunktion haben. Wenn das Gehäuse geöffnet oder entfernt wird, kann der Laser automatisch ausgeschaltet werden.

6. Der Lasergravierer sollte über einen Not-Aus-Taster verfügen, der die Ausgabe des Lasers sofort stoppen kann, wenn er unter unerwarteten Umständen gedrückt wird.

7. Der Lasergravierer sollte über eine Rücksetztaste verfügen, mit der die Arbeit unter der Bedingung fortgesetzt werden kann, dass die Sicherheit nach dem Anheben der Verriegelung oder des Not-Aus bestätigt wird.

8. Der Lasergravierer sollte physische Schlüssel, einen Dongle, ein Passwortsystem und andere Methoden zur Verwaltung und Kontrolle verwenden, um zu verhindern, dass Personal ohne Sicherheitsschulung diese Art von Ausrüstung bedient.

9. Auf dem Lasergravierer sollten alle Fenster oder Kanäle angebracht werden, die die Laserstrahlung aktiv beobachten oder passiv empfangen können.

10. Wenn der Laser die Haut oder die Augen verbrennt, gehen Sie bitte sofort zur Untersuchung und Behandlung in ein nahe gelegenes Krankenhaus

Teil 2: Erklärung zur Benutzersicherheit

Laserlicht kann die menschlichen Augen und die Haut schädigen. Setzen Sie das Auge oder die Haut nicht direkt Laserlicht aus. Dieses Laserprodukt hat eine optische Linse und sendet einen kollimierten Laserstrahl aus. Das direkte und reflektierte Licht dieses Produkts ist sehr schädlich, da es sich über eine lange Strecke ausbreiten kann und gleichzeitig eine hohe optische Dichte beibehält. Tragen Sie beim Umgang mit dem Produkt eine geeignete Schutzbrille (OD5 +), um die Augen vor Laserlicht einschließlich reflektiertem Licht und Streulicht zu schützen. Das reflektierte und streuende Licht, das in einen unbeabsichtigten Bereich gelangt, sollte gedämpft und / oder absorbiert werden.

2.1 Lasersicherheit

Wir haben eine Laserabschirmung am Laser installiert, die die diffuse Reflexion des Laserspots weitgehend herausfiltern kann. Bei Verwendung einer Lasergravurmaschine wird jedoch empfohlen, eine Laserschutzbrille zu tragen. Vermeiden Sie die Exposition der Haut gegenüber Laserstrahlen des Typs 4, insbesondere aus nächster Nähe. Die Teenager müssen bei der Verwendung von den Eltern beaufsichtigt werden. Berühren Sie das Lasergravurmodul nicht, wenn die Maschine eingeschaltet ist.

2.2 Brandschutz

Da das Schneiden das Substrat abbrennt, erzeugt ein hochintensiver Laserstrahl extrem hohe Temperaturen und viel Wärme. Bestimmte Materialien können sich beim Schneiden entzünden und Gase und Dämpfe im Gerät erzeugen. Hier tritt normalerweise eine kleine Flamme auf, wenn ein Laserstrahl aufschlägt. Das Material bewegt sich mit dem Laser und bleibt beim Vorbeifahren des Lasers nicht beleuchtet. **Bitte lassen Sie die Maschine während des Schnitzvorgangs nicht unbeaufsichtigt.** Reinigen Sie nach dem Gebrauch Schmutz, Ablagerungen und brennbare Materialien beim Laserschneiden. Halten Sie immer einen funktionierenden Feuerlöscher in der Nähe. Rauch- oder Luftschadstoffsicherheit. Bei Verwendung von Lasergravurmaschinen entstehen Rauch, Dampf, Partikel und möglicherweise hochgiftige Materialien (Kunststoffe und andere brennbare Materialien) aus dem Material. Diese Dämpfe oder Luftschadstoffe können gesundheitsschädlich sein.

2.3 Materialsicherheit

Gravieren Sie keine Materialien mit unbekanntem Eigenschaften. Empfohlene Materialien: Holz, Bambus, Leder, Kunststoff, Stoff, Papier, opakes Acryl, Glas. Nicht empfohlene Materialien: Metall, Edelsteine, transparente Materialien, reflektierende Materialien usw.

2.4 Sicherheit verwenden

Verwenden Sie den Graveur nur in horizontaler Position und stellen Sie sicher, dass er sicher befestigt ist, um Brände zu vermeiden, die durch versehentliches Verschieben oder Herunterfallen von der Werkbank während der Arbeit verursacht werden. Es ist verboten, den Laser auf Personen, Tiere oder brennbare Gegenstände zu richten, unabhängig davon, ob er sich darin befindet Arbeitszustand oder nicht.

2.5 Stromsicherheit

Um versehentliche Katastrophen wie Feuer und Stromschlag zu vermeiden, wird der Lasergravierer mit einem Netzteil mit Erdungskabel geliefert. Stecken Sie den Netzstecker mit einem Erdungskabel in die Steckdose, wenn Sie den Lasergravierer verwenden.

2.6 Umwelt Sicherheit

Stellen Sie beim Zusammenbau, Gravieren und Schneiden sicher, dass der Arbeitsplatz sauber ist und sich keine brennbaren und explosiven Materialien um das Gerät befinden. Beim Gravieren oder Schneiden muss eine Metallplatte auf den Boden gelegt werden.

Teil 3: Haftungsausschluss und Warnung

Dieses Produkt ist kein Spielzeug und nicht für Personen unter 15 Jahren geeignet. Lassen Sie Kinder das Lasermodul nicht berühren. Bitte seien Sie vorsichtig, wenn Sie in Szenen mit Kindern arbeiten.

Dieses Produkt ist ein Lasermodul. Unter <http://www.atomstack3d.com/laserengraverdownload> finden Sie das vollständige "Benutzerhandbuch" sowie die neuesten Anweisungen und Warnungen. Shenzhen AtomStack Technologies Co., Ltd. (Atomstack) behält sich das Recht vor, diesen Haftungsausschluss und die Richtlinien für den sicheren Betrieb zu aktualisieren.

Bitte lesen Sie dieses Dokument sorgfältig durch, bevor Sie das Produkt verwenden, um Ihre gesetzlichen Rechte, Pflichten und Sicherheitshinweise zu verstehen. Andernfalls kann es zu Sachschäden, Sicherheitsunfällen und versteckten Gefahren für die persönliche Sicherheit kommen. Sobald Sie dieses Produkt verwenden, wird davon ausgegangen, dass Sie alle Bedingungen und Inhalte dieses Dokuments verstanden, akzeptiert und akzeptiert haben. Der Benutzer verpflichtet sich, für seine Handlungen und alle daraus resultierenden Konsequenzen verantwortlich zu sein. Der Benutzer erklärt sich damit einverstanden, das Produkt nur für legitime Zwecke zu verwenden, und stimmt den gesamten Bedingungen und Inhalten dieses Dokuments sowie allen relevanten Richtlinien oder Richtlinien zu, die AtomStack möglicherweise festlegt.

Sie verstehen und stimmen zu, dass AtomStack Ihnen möglicherweise nicht die Ursache des Schadens oder Unfalls mitteilen und Ihnen den Kundendienst von AtomStack anbieten kann, es sei denn, Sie stellen die Original-Gravur- oder Schnittdateien, die verwendeten Gravur-Softwarekonfigurationsparameter, Betriebssysteminformationen usw. zur Verfügung. Video des Gravur- oder Schneidprozesses und der Arbeitsschritte vor dem Auftreten eines Problems oder Fehlers.

AtomStack haftet nicht für Verluste, die dadurch entstehen, dass der Benutzer das Produkt nicht gemäß diesem Handbuch verwendet, Ohne Anleitung des technischen Personals des Unternehmens ist es dem Benutzer untersagt, die Maschine selbst zu demontieren. Wenn dieses Verhalten auftritt, trägt der Benutzer den vom Benutzer verursachten Schaden.

Atomstack hat das ultimative Recht, das Dokument zu interpretieren, sofern die gesetzlichen Bestimmungen eingehalten werden. Atomstack behält sich das Recht vor, die Nutzungsbedingungen ohne vorherige Ankündigung zu aktualisieren, zu ändern oder zu beenden.

Teil 4: Installationsschritte

Schritt 1. Installieren Sie die Kontur der Graviermaschine

Schritt 2. Installieren Sie die X-Achsen-Baugruppe, den Steuerkasten und den Stützrahmen

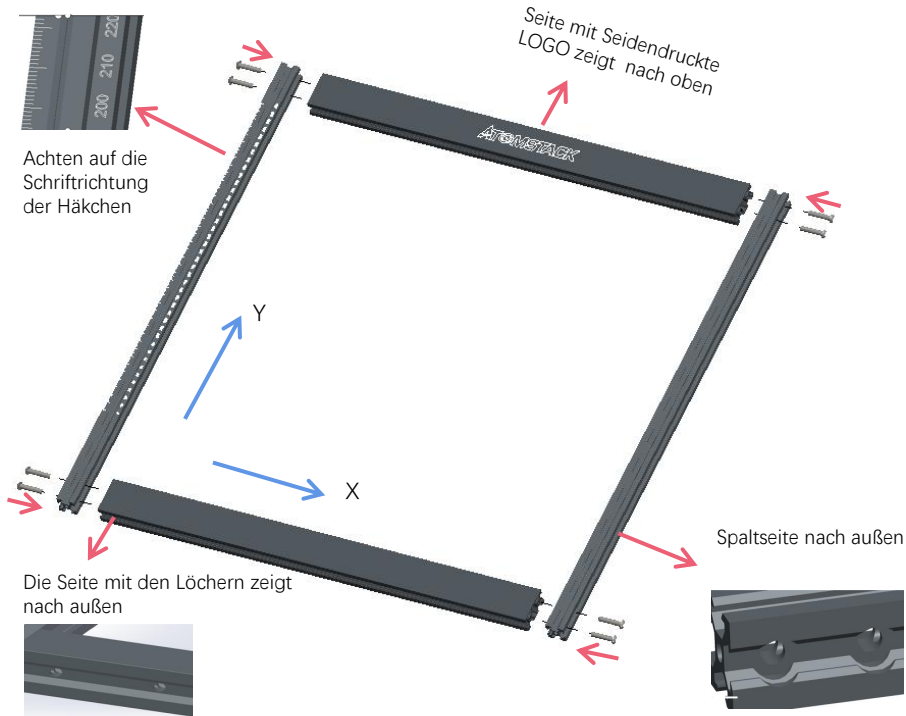
Schritt 3. Installieren Sie die Endkappe des Riemens und des Aluminiumprofils

Schritt 4. Installieren Sie den Laser und die Laserschutzabdeckung

Schritt 5. Installieren Sie die Grenzsäule für die Y-Achse und stellen Sie die Exzentrerschrauben für die X- und Y-Achse ein

Schritt 6. Installieren Sie das Kabel und befestigen Sie das Kabel

Schritt 1



Schritt 1 Erforderliche Komponenten :



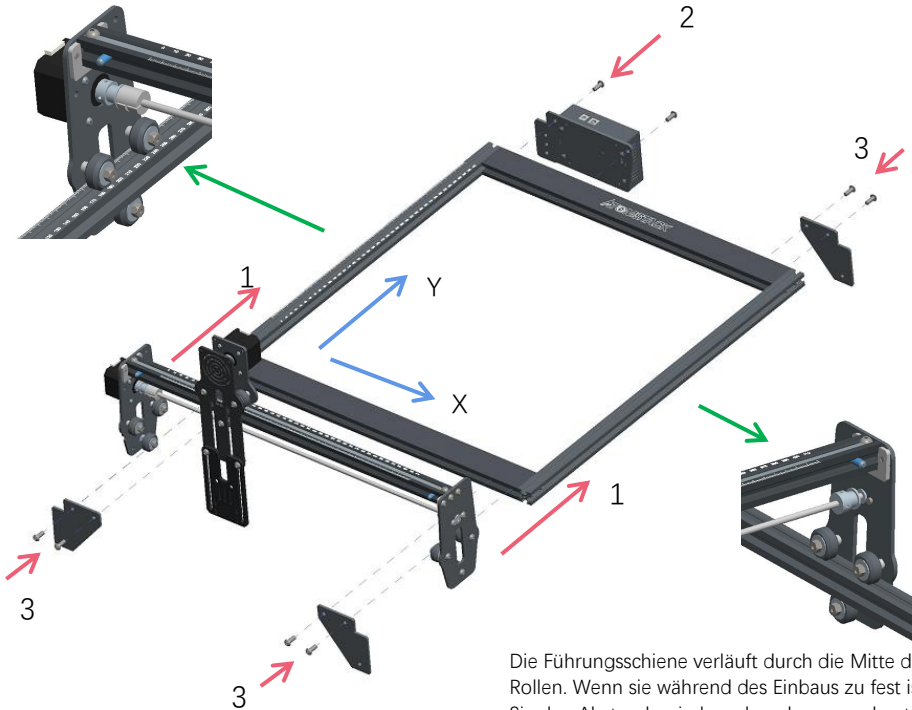
Installationsmethode:

1. Suchen Sie zuerst die vier großen Profile im obigen Bild, platzieren Sie die vier Profile wie gezeigt und achten Sie auf die Richtung der Profile.
2. Platzieren Sie die Profile, indem Sie die Details des Bildes vergrößern. Ziehen Sie die M5-Schraube in der Welle fest und beurteilen Sie anhand der vergrößerten Detail, ob Sie sie richtig installiert haben.

WICHTIGE TIPPS:

- a. Alle Schrauben sollten zuerst angezogen werden, aber nicht festziehen
- b. Ziehen Sie dann die Schrauben diagonal an.
- c. Erforderliches Werkzeug, Inbusschlüssel M5 + Schraube M5

Schritt 2



Die Führungsschiene verläuft durch die Mitte der 3 Rollen. Wenn sie während des Einbaus zu fest ist, lösen Sie den Abstand zwischen den oberen und unteren Führungsrädern entsprechend

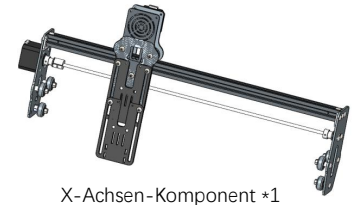
Schritt 2 Erforderliche Komponenten :



Kontrollkasten*1

M5-Schrauben*8

Stützfüße*3

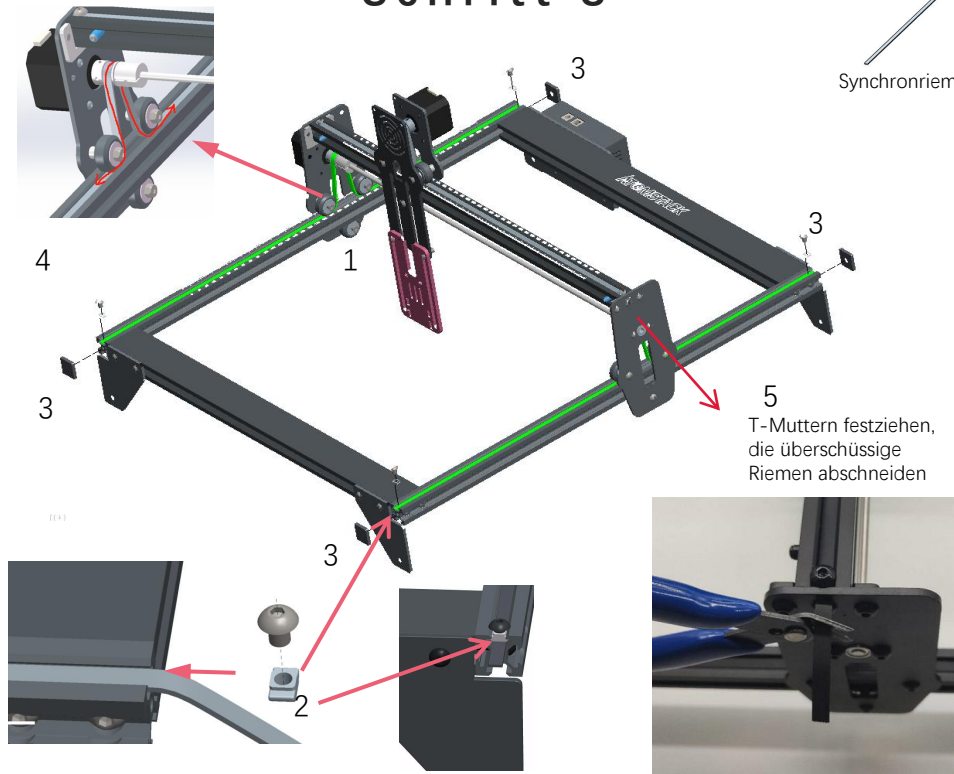


X-Achsen-Komponent *1

Installationsanleitung:

1. Schieben Sie die X-Achsen-Komponent in der in der Abbildung gezeigten Richtung in den Rahmen der Basis. Wenn die Rolle und das Profil während des Installationsvorgangs zu fest sind, können Sie die Exzentermutter ordnungsgemäß lösen und dann die Dichtheit der Exzentermutter einstellen, nachdem die gesamte Montage abgeschlossen ist.
2. Installieren Sie den Schaltkasten wie in der Abbildung gezeigt.
3. Installieren Sie abschließend 3 Stützfüße mit Inbusschlüssel M5.

Schritt 3



Step3 Komponent:



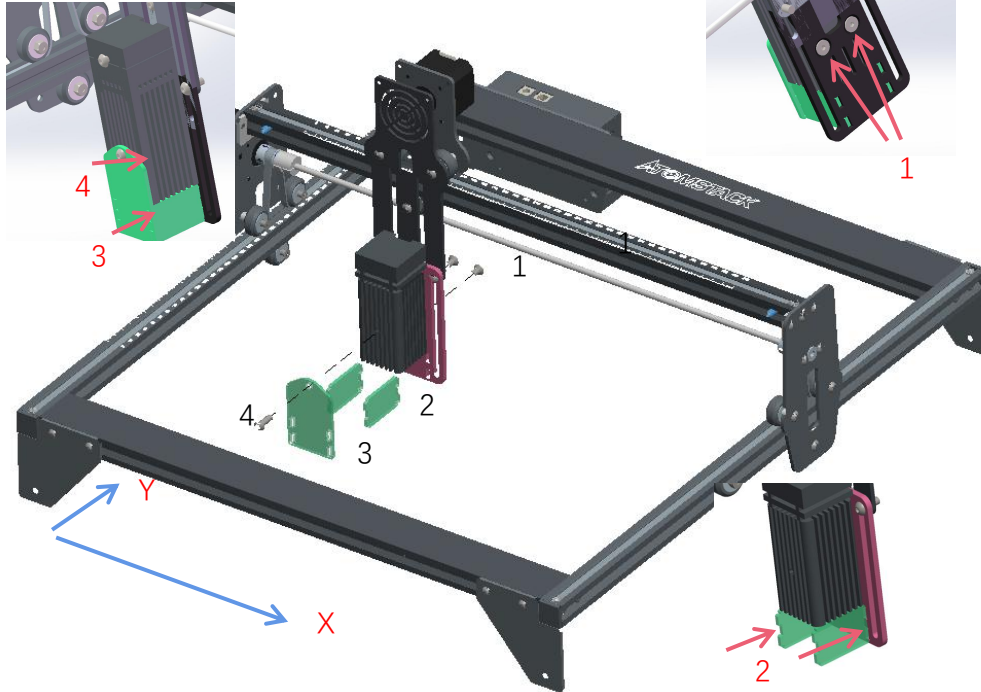
Installationsanleitung:

1. Installieren Sie zwei Synchronriemen wie in der Abbildung gezeigt (ziehen Sie zuerst ein Ende mit einer T-Mutter fest, führen Sie dann das andere Ende durch die Rolle an der X-Achsen-Komponent und ziehen Sie schließlich das andere Ende fest und befestigen Sie es mit einer T-Mutter). Installieren Sie es auf die gleiche Weise ein anderer Zahnriemen.
2. Befestigungsmethode für die T-Mutter (drücken Sie die T-Mutter aus der Nut an der Endfläche des Profils und ziehen Sie die T-Mutter dann mit einer Schraube fest). Die T-Mutter befindet sich so nahe wie möglich am Ende des Profils und der überschüssige Riemen wird abgeschnitten.
3. Decken Sie die Profilkappe ab (die Seite der Endkappe mit den Vorsprüngen zeigt nach unten).

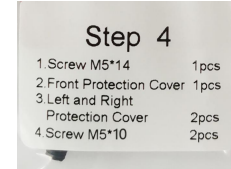
TIPPS:

Die Installation des Y-Achsen-Synchronriemens kann sich auf den auf der X-Achsen-Komponent installierten Synchronriemen beziehen. Stellen Sie fest, ob der Synchronriemen fest genug ist, und drücken Sie mit den Fingern auf die in Abbildung 4 gezeigte Position. Wenn keine offensichtliche Verformung vorliegt, ist sie fest genug. Wenn die Verformung groß ist, lösen Sie ein Ende der T-Mutter, ziehen Sie den Synchronriemen fest und ziehen Sie die T-Mutter fest. .

Schritt 4



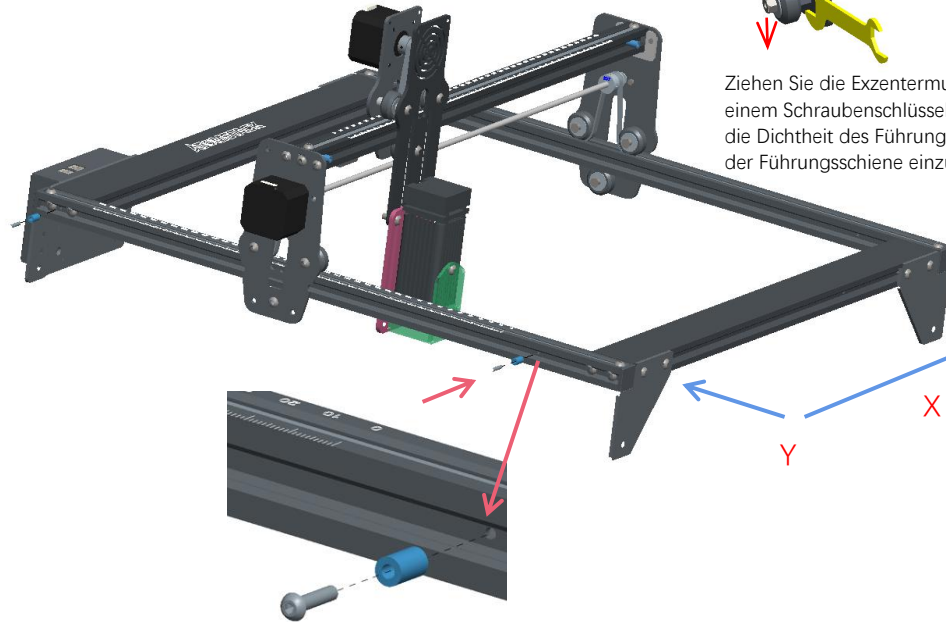
Schritt 4 Erforderliche Komponenten:



Installationsanleitung:

1. Befestigen Sie den Laserkopf mit den Senkschrauben M5 * 10 auf der Gleitplatte. Die Schrauben müssen festgezogen werden.
2. Bringen Sie die grünen Schutzabdeckungen links und rechts an.
3. Setzen Sie die vordere grüne Schutzabdeckung ein.
4. Befestigen Sie die vordere Schutzabdeckung mit den flachen Rundkopfschrauben M5 * 14.

Schritt 5



Ziehen Sie die Exzentermutter mit einem Schraubenschlüssel an, um die Dichtheit des Führungsrad und der Führungsschiene einzustellen.

Schritt 5 Erforderliche Komponenten:

M3*14Schrauben*1
(Pro:M3*14Schrauben*2)

Y-Achsen-
Begrenzungssäule*1
(Pro:Y-Achsen-
Begrenzungssäule*2)



Installationsanleitung:

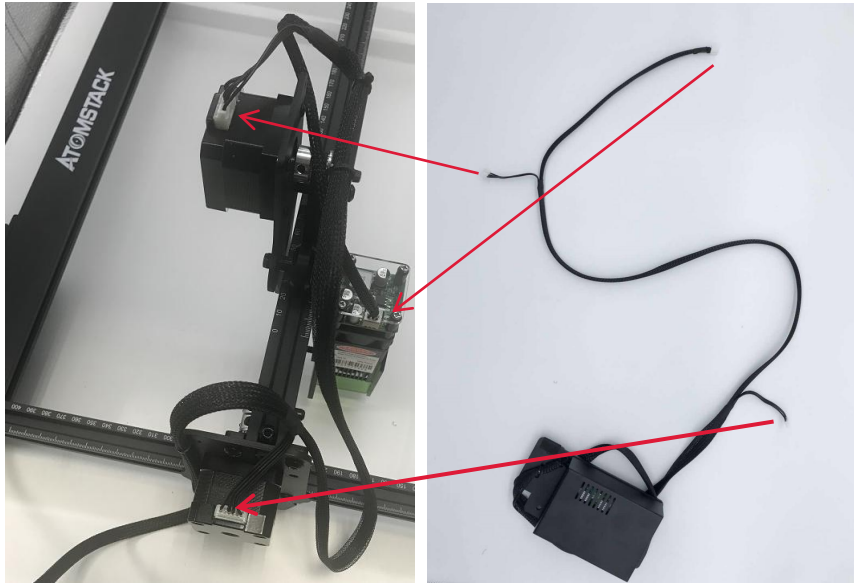
1. Befestigen Sie die Y-Achsen-Begrenzungssäule wie in der Abbildung gezeigt mit M3 * 14-Schrauben an der linken Gleitschiene.
2. Stellen Sie die Festigkeit der Exzentermutter auf die richtige Festigkeit ein, um sicherzustellen, dass sich die X- und Y-Achse reibungslos bewegen, ohne zu zittern.

TIPPS:

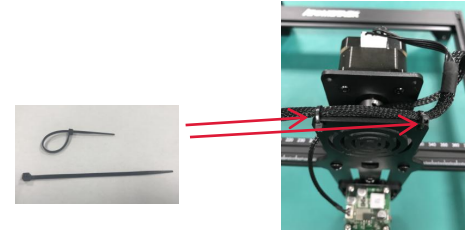
Wie kann man die Dichtheit von Exzentermuttern bestimmen?

Unter der Bedingung, dass die Halterung nicht wackelt, können Sie ein Ende der Maschine in einem Winkel von 45 Grad zur horizontalen Ebene anheben und die Halterung der X- oder Y-Achse von einer hohen Stelle lösen. Wenn die Halterung mit konstanter Geschwindigkeit zum Ende gleiten kann, ist die Dichtheit geeignet .

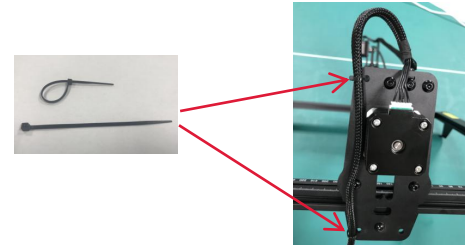
Schritt 6 Installieren Sie die Klemmenblöcke und bündeln Sie die Kabel



1



2



Installationsanleitung:

1. Stecken Sie drei Kabelklemmen wie in dem Bild gezeigt ein.
2. Wie in der Abbildung gezeigt binden Sie die Kabelbefestigungslöcher und Kabelbündel mit Kabelbindern, um ein Lösen der Drahtklemmen zu verhindern.

Software - Verbindung

- > 1. Atomstack currently supports LaserGRBL and LightBurn software.
- > Windows-Betriebssystem unterstützt nur LaserGRBL, Hier ist der Download-Link: <http://lasergrbl.com/download/>
- > Mac OS unterstützt sowohl LaserGRBL als auch LightBurn, Dies ist der Download-Link: <https://lightburnsoftware.com/pages/trial-version-try-before-you-buy>

- > 2. Wenn die Graviermaschine und der Computer nicht verbunden werden können, müssen Sie den Treiber aktualisieren. (Weitere Informationen finden Sie in der Bedienungsanleitung.) Klicken Sie in LaserGRBL auf "Extras">. Install CH340-Treiber "Aktualisieren und installieren Sie den Treiber, starten Sie den Computer nach dem Update neu und stellen Sie dann eine Verbindung her, wie unten gezeigt.

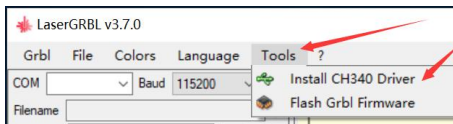


FIG. 1-1

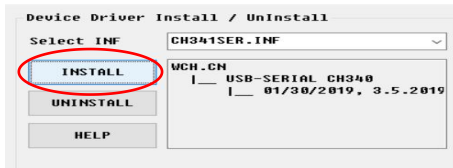
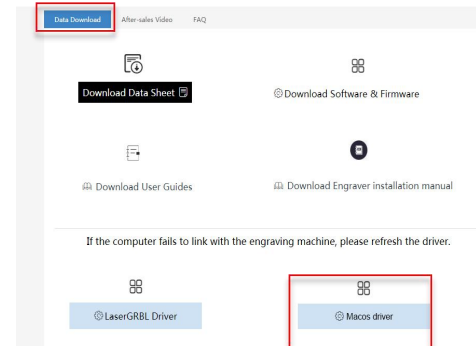


FIG. 1-2

- Um den Treiber für MacOS zu aktualisieren, melden Sie sich auf der Website <https://www.atomstack.net/pages/user-guides> an und klicken Sie, um den MacOS-Treiber herunterzuladen (siehe Abbildung unten).



Scannen Sie nach einer mehrsprachigen Bedienungsanleitung:



Scanner APP:
QR-Code-Leser
/Barcodelesegerät
oder eine beliebige APP
mit Scanner

Teil 5: Wartungsanweisungen und Warnung

Dieses Produkt verfügt über ein hochintegriertes Design und ist wartungsfrei. Wenn das mit diesem Produkt installierte Lasersystem jedoch repariert oder eingestellt werden muss, gehen Sie bitte wie folgt vor:

1. Ziehen Sie das Netzkabel vom Laser ab, damit sich der Laser in einem Stromausfall befindet.

2. Wenn Sie Laserunterstützung zum Einstellen benötigen, bitte:

1. Alle anwesenden Mitarbeiter tragen eine Schutzbrille, OD5 + Schutzglas wird benötigt;

2. Stellen Sie sicher, dass sich keine brennbaren oder explosiven Materialien in der Nähe befinden.

3. Die Position und Richtung des Lasers sind festgelegt, um sicherzustellen, dass sich der Laser beim Debuggen nicht versehentlich bewegt und auf Menschen, Tiere, brennbare, explosive und andere gefährliche und wertvolle Objekte scheint.

4. Schau nicht auf Laser.

5. Richten Sie den Laser nicht auf das Spiegelobjekt, damit die Laserreflexion keine versehentlichen Verletzungen verursacht.

Teil 6: Vorsichtsmaßnahmen bei häufigen Problemen der Gravurmaschine

1. Die Verbindung zwischen der Software und dem Gerät muss den richtigen COM-Anschluss auswählen, die Baudrate auswählen: 115200, um zu überprüfen, ob die Computerschnittstelle und die USB-Verbindung lose sind.
2. Überprüfen Sie vor dem Gravieren, ob jeder Mechanismus locker ist (ob der Zahnriemen, die exzentrische Säule des Rollen- und des Laserkopfteils locker oder geschüttelt sind).
3. Stellen Sie den Fokus richtig ein und vergewissern Sie sich, dass der Abstand vom Ende der Laserschutzabdeckung zur Gravur 2 mm beträgt.
4. Die LaserGRBL / LightBurn-Software kann anhand der Parametertabelle im entsprechenden Handbuch verschiedene Materialien gravieren und schneiden. Die Gravur von Spiegelmetall erfordert eine manuelle Schwärzung der Oberfläche.



Kundendienst:

Ø Detaillierte Garantiebestimmungen finden Sie auf unserer offiziellen Website unter:

www.atomstack.net

Ø Für technischen Support und Service von Laser Engraver senden Sie bitte eine E-Mail an:

support@atomstack.net

Hersteller: Shenzhen AtomStack Technologies Co., Ltd.
AdressE: 202, Gebäude 1, Mingliang Technology Park, Nr. 88 Z Huguang North Road, Tao Yuan Street, n Anshan District, S very real, Gebäude G von GU Plan, China

Scannen Sie den Code, um in die Austauschgruppe der Graviermaschine einzutreten:



Scanner APP:
QR-Code-Leser
/Barcodelesegerät
oder eine beliebige APP
mit Scanner

ATOMSTACK A5 Série M

Machine de gravure laser

Installation Manuel



- English
- Deutsch
- Français

Remarque: (l'image est pour référence seulement, le produit réel prévaudra)



MADE IN CHINA



Partie 1: Déclaration de sécurité avant l'installation

Avant d'utiliser la gravure laser, veuillez lire attentivement ce guide de sécurité, il mentionne les situations qui nécessitent une attention particulière et inclut des avertissements de pratiques dangereuses qui peuvent endommager votre propriété ou même mettre en danger votre sécurité personnelle.

1. Ce produit est un composant du système de gravure laser, doit être installé chez d'autres fabricants de graveur laser pour utilisation. Et le produit appartient à des produits laser de classe 4, le système laser lui-même doit répondre aux exigences de la dernière version de la norme CEI 60825-1, sinon l'utilisation du produit est interdite.

2. Votre graveur laser doit avoir un boîtier de protection qui, lorsqu'il est en place, empêche l'accès humain au rayonnement laser.

3. Si un boîtier de protection est équipé d'un panneau d'accès qui permet un accès "de plain-pied", alors: a) des moyens doivent être prévus pour que toute personne à l'intérieur du boîtier de protection puisse empêcher l'activation d'un danger laser équivalent à la classe 3B ou Classe 4. b) un dispositif d'avertissement doit être situé de manière à fournir un avertissement adéquat de l'émission d'un rayonnement laser équivalent à la classe 3R dans la gamme de longueurs d'onde inférieure à 400 nm et supérieure à 700 nm, ou d'un rayonnement laser équivalent à la classe 3B ou à la classe 4 à toute personne qui pourrait se trouver dans le boîtier de protection. c) lorsque l'accès «sans rendez-vous» pendant le fonctionnement est prévu ou raisonnablement prévisible, émission d'un rayonnement laser équivalent à la classe 3B ou la classe 4 alors qu'une personne est présente à l'intérieur du boîtier de protection d'un produit de classe 1, classe 2 ou classe 3R doit être empêchée par des moyens techniques. NOTE Methods to prevent human access to radiation when persons are inside the protective housing can include pressure sensitive floor mats, infrared detectors, etc.

NOTE Les méthodes pour empêcher l'accès humain aux rayonnements lorsque des personnes se trouvent à l'intérieur du boîtier de protection peuvent inclure des tapis de sol sensibles à la pression, des détecteurs infrarouges, etc.

- 4.**Le laser lui-même a un couvercle de protection, le couvercle de protection est fixé par des vis. Lorsque le laser est installé sur le graveur laser, le couvercle de protection doit être vérifié pour être verrouillé de manière fiable et ne peut pas être retiré à l'état sous tension.
- 5.**Le boîtier du graveur laser doit avoir une fonction de verrouillage. Lorsque le boîtier est ouvert ou retiré, le laser peut être automatiquement désactivé.
- 6.**Le graveur laser doit avoir un bouton d'arrêt d'urgence, qui peut immédiatement arrêter la sortie du laser lorsqu'il est pressé dans des circonstances inattendues.
- 7.**Le graveur laser doit avoir un bouton de réinitialisation, qui peut reprendre le travail à condition de confirmer la sécurité après avoir levé le verrouillage ou l'arrêt d'urgence.
- 8.**Le graveur laser doit utiliser des clés physiques, un dongle, un système de mot de passe et d'autres moyens de gérer et de contrôler, pour empêcher le personnel sans opération de formation à la sécurité de ce type d'équipement.
- 9.**Sur le graveur laser, toute fenêtre ou canal qui peut observer activement ou recevoir passivement le rayonnement laser doit être mis en place des marques d'avertissement.
- 10.**Si le laser brûle la peau ou les yeux, veuillez vous rendre immédiatement dans un hôpital voisin pour un examen et un traitement.

Partie 2 : Déclaration de sécurité de l'utilisateur

La lumière laser peut endommager les yeux et la peau humains. N'exposez pas les yeux ou la peau directement à la lumière laser. Ce produit laser a une lentille optique et émet un faisceau laser collimaté. La lumière de ce produit, à la fois directe et réfléchie, est très nocive car elle peut se propager sur une longue distance tout en conservant une densité optique élevée. Lors de la manipulation du produit, porter des lunettes de sécurité appropriées (OD5 +) pour protéger les yeux de la lumière laser, y compris la lumière réfléchie et la lumière parasite. La lumière réfléchie et parasite qui se répand dans une zone non intentionnelle doit être atténuée et / ou absorbée.

2.1 Sécurité laser

Nous avons installé un bouclier laser sur le laser, le bouclier peut filtrer en grande partie la réflexion diffuse du point laser. Cependant, lorsque vous utilisez une machine de gravure laser, il est recommandé de porter des lunettes de protection laser. Évitez l'exposition de la peau aux faisceaux laser de type 4, en particulier à courte distance. Les adolescents doivent être surveillés par leurs parents lors du processus d'utilisation. Ne touchez pas le module de gravure laser lorsque la machine est allumée.

2.2 Sécurité incendie

Parce que la découpe brûle le substrat, un faisceau laser à haute intensité génère des températures extrêmement élevées et beaucoup de chaleur. Certains matériaux peuvent prendre feu pendant la découpe, créant des gaz et des fumées à l'intérieur de l'équipement. Une petite flamme apparaît généralement ici lorsqu'un faisceau laser frappe le matériau. Il se déplacera avec le laser et ne restera pas allumé lorsque le laser passe. **Veillez ne pas laisser la machine sans surveillance pendant le processus de sculpture.** Après utilisation, assurez-vous de nettoyer les débris, les débris et les matériaux inflammables dans la découpe laser. Gardez un extincteur en état de marche à proximité en tout temps. Sécurité contre la fumée ou les polluants atmosphériques. Lorsque des machines de gravure laser sont utilisées, de la fumée, de la vapeur, des particules et des matériaux potentiellement hautement toxiques (plastiques et autres matériaux combustibles) sont produits à partir du matériau. Ces fumées ou polluants atmosphériques peuvent être dangereux pour la santé.

2.3 Sécurité des matériaux

Ne pas graver des matériaux aux propriétés inconnues. Matériaux recommandés: bois, bambou, cuir, plastique, tissu, papier, acrylique opaque, verre. Matériaux déconseillés: métal, pierres précieuses, matériaux transparents, matériaux réfléchissants etc.

2.4 Sécurité d'utilisation

Utilisez le graveur uniquement en position horizontale et assurez-vous qu'il a été solidement fixé pour éviter les incendies causés par un déplacement accidentel ou une chute de l'établi pendant le travail. Il est interdit de pointer le laser vers des personnes, des animaux ou tout objet combustible, qu'il se trouve dans condition de travail ou non.

2.5 Sécurité électrique

Pour éviter les catastrophes accidentelles telles que les incendies et les chocs électriques, le graveur laser fournit un adaptateur secteur avec un fil de terre. Branchez la fiche d'alimentation dans la prise de courant avec un fil de terre lorsque vous utilisez le graveur laser.

2.6 sicurezza ambientale

Veillez vous assurer que le lieu de travail doit être dégagé lors de l'assemblage de la gravure et de la découpe de matériaux inflammables ou explosifs entourant l'équipement. Vous devez placer une planche de métal sous le fond lors de la gravure ou de la découpe.

Partie 3: Clause de non-responsabilité et avertissement

Ce produit n'est pas un jouet et ne convient pas aux personnes de moins de 15 ans. Ne laissez pas les enfants toucher le module laser. Soyez prudent lorsque vous utilisez des scènes avec des enfants.

Ce produit est un module laser, visitez <http://www.atomstack3d.com/laserengraverdownload> pour obtenir le «manuel d'utilisation» complet et les dernières instructions et avertissements. Shenzhen AtomStack Technologies Co., Ltd. (Atomstack) se réserve le droit de mettre à jour cette clause de non-responsabilité et ces consignes d'utilisation en toute sécurité.

Veuillez lire attentivement ce document avant d'utiliser le produit pour comprendre vos droits légaux, vos responsabilités et vos instructions de sécurité; Sinon, cela peut entraîner une perte de propriété, un accident de sécurité et un danger caché de sécurité personnelle. Une fois que vous utilisez ce produit, vous serez réputé avoir compris, accepté et accepté toutes les conditions et le contenu de ce document. L'utilisateur s'engage à être responsable de ses actes et de toutes les conséquences qui en découlent. L'utilisateur accepte d'utiliser le produit uniquement à des fins légitimes et accepte l'intégralité des conditions et du contenu de ce document et toutes les politiques ou directives pertinentes qu'AtomStack peut établir.

Vous comprenez et acceptez qu'AtomStack peut ne pas être en mesure de vous fournir la cause du dommage ou de l'accident et de vous fournir le service après-vente d'AtomStack à moins que vous ne fournissiez les fichiers de gravure ou de découpe d'origine, les paramètres de configuration du logiciel de gravure utilisés, les informations du système d'exploitation, vidéo du processus de gravure ou de découpe et étapes opérationnelles avant l'apparition d'un problème ou d'une panne.

AtomStack n'est pas responsable de toutes les pertes résultant de la non-utilisation du produit par l'utilisateur conformément à ce manuel, Sans les conseils du personnel technique de l'entreprise, il est interdit aux utilisateurs de démonter la machine par eux-mêmes. Si ce comportement se produit, la perte causée par l'utilisateur sera supportée par l'utilisateur.

Atomstack a le droit ultime d'interpréter le document, sous réserve de conformité légale. Atomstack se réserve le droit de mettre à jour, de modifier ou de résilier les Conditions sans préavis.

Partie 4 : Étapes d'installation

Étape 1: installez le contour de la machine à graver

Étape 2: installez l'assemblage de l'axe X, le boîtier de commande et le cadre de support

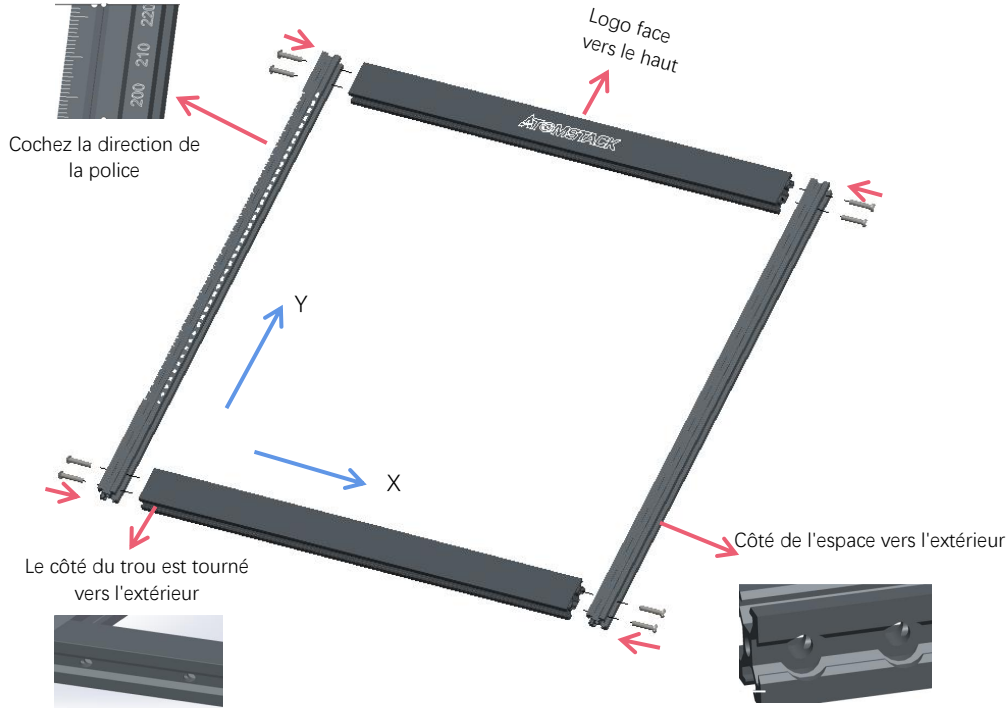
Étape 3: Installez la courroie et le capuchon d'extrémité en profilé d'aluminium

Étape 4: installez le capot de protection laser et laser

Étape 5: Installez la colonne de limite de l'axe Y et ajustez les vis excentriques des axes X et Y

Étape 6: Installez le câble et fixez le câble

Étape 1



Étape 1 Composants requis:



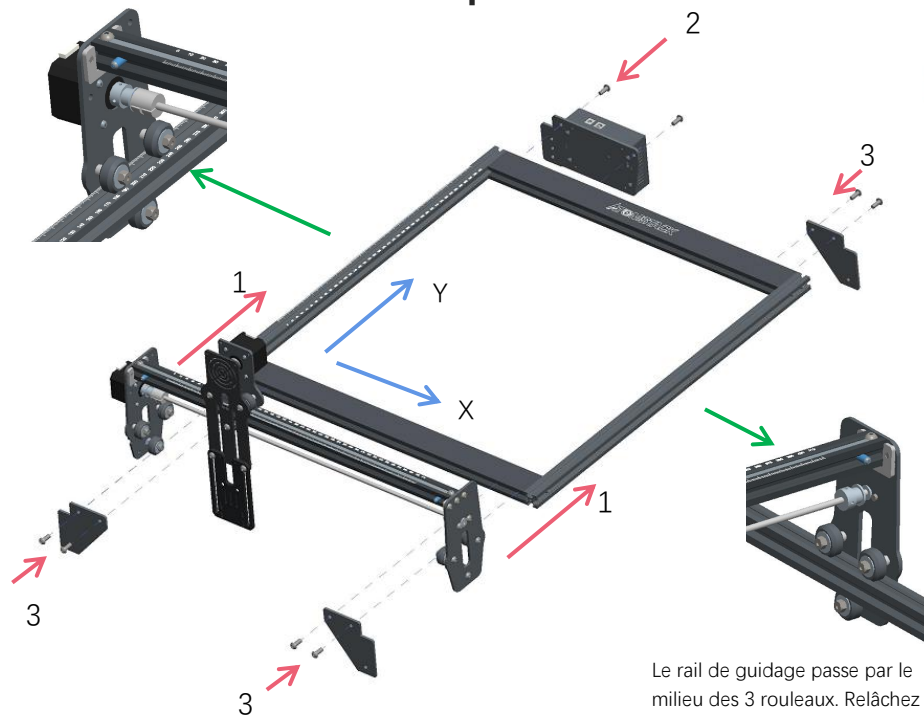
Installation Manuel:

1. Trouvez les quatre grands profils dans l'image ci-dessus, placez les quatre profils comme indiqué et faites attention à la direction des profils.
2. Serrez la vis M5 dans l'arbre et jugez si vous l'avez installée correctement grâce aux détails de la vue agrandie.

Noter:

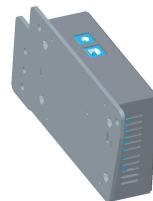
- a. Placez les vis, mais ne les serrez pas.
- b. Serrez ensuite les vis en diagonale.
- c. Outils nécessaires, clé Allen M5 + vis M5.

Étape 2



Le rail de guidage passe par le milieu des 3 rouleaux. Relâchez la distance entre les roues de guidage supérieure et inférieure de manière appropriée.

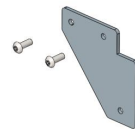
Étape 2 Composants requis:



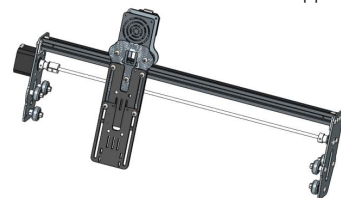
Boîtier de commande *1



Vis M5 * 8



Joint de support * 3

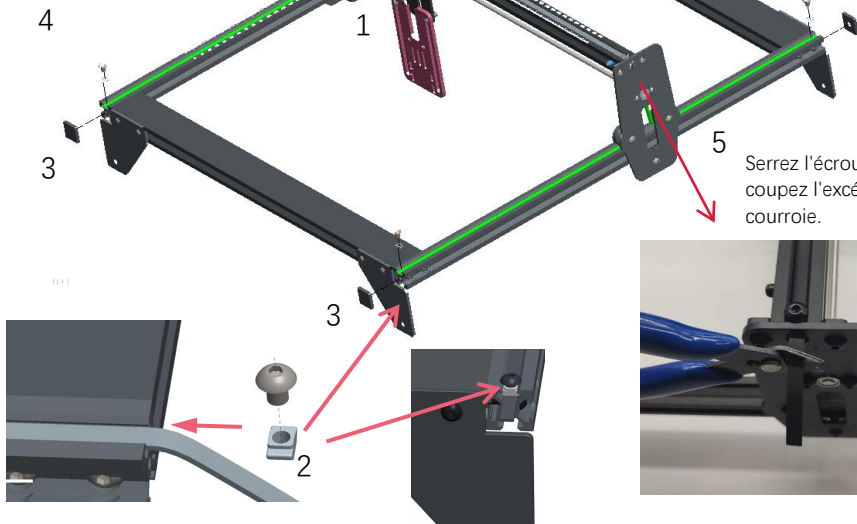
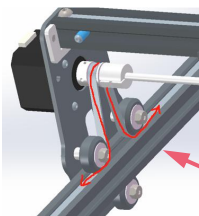


Composants de l'axe X * 1

Installation Manuel:

1. Poussez le composant de l'axe X dans le cadre de base dans la direction indiquée sur la figure. Ajustez correctement l'écrou excentrique.
2. Installez le boîtier de commande comme indiqué.
3. Utilisez une clé Allen M5 pour installer 3 joints de support.

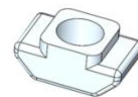
Étape 3



Courroie synchrone * 2



Couvercle d'extrémité de profil * 4



Écrou de type T * 4



Vis de blocage d'écrou de type T*4

Étape 3 Composants requis:

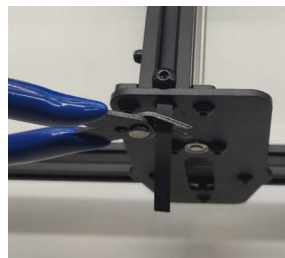


Installation Manuel:

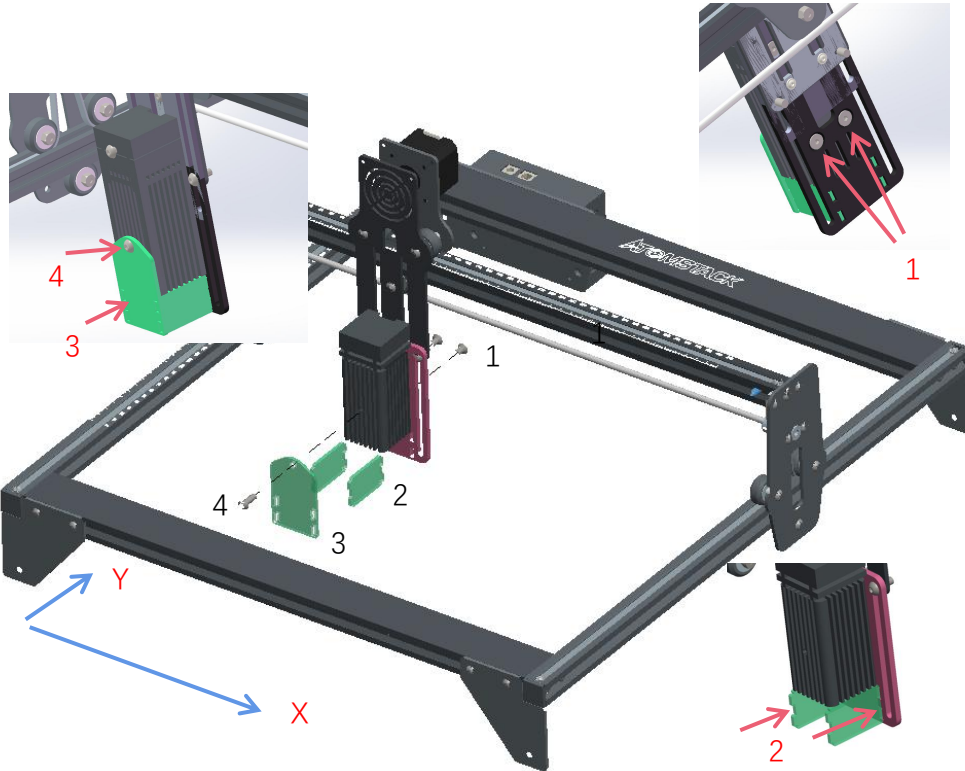
1. Installez deux courroies synchrones comme indiqué sur la figure. Serrer d'abord une extrémité avec un écrou en T, puis passer l'autre extrémité à travers le rouleau sur l'assemblage de l'axe X comme indiqué sur la figure, et enfin serrer l'autre extrémité et la fixer avec un écrou en T.
2. Méthode de fixation de l'écrou en T (poussez l'écrou en T de la rainure à l'extrémité du profil, puis utilisez la vis pour serrer l'écrou en T), l'écrou en T est aussi proche de l'extrémité du profil que possible, et coupez l'excédent de bande.
3. Couvrir le couvercle d'extrémité du profilé (le côté du capuchon d'extrémité avec les saillies est orienté vers le bas).

CONSEILS:

L'installation de la courroie synchrone de l'axe Y peut faire référence à la courroie synchrone installée sur l'ensemble de l'axe X. Déterminez si la courroie de distribution est suffisamment tendue: appuyez sur la position indiquée à la figure 4 avec vos doigts, et s'il n'y a pas de déformation évidente, elle est suffisamment serrée. Si la déformation est importante, desserrez une extrémité de l'écrou en T et serrez la courroie de distribution, puis serrez l'écrou en T.



Étape 4



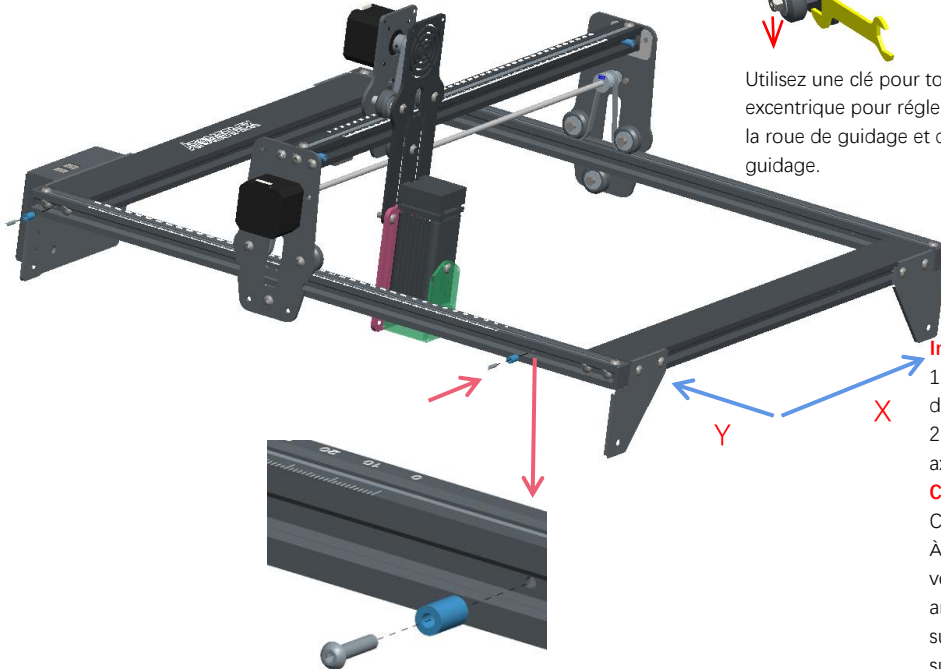
Étape 4 Composants requis:



Installation Manuel:

1. Fixez la tête laser sur le panneau coulissant avec des vis à tête fraisée M5 * 10. Les vis doivent être serrées.
2. Insérez les capots de protection verts sur les côtés gauche et droit.
3. Insérez le couvercle de protection vert avant.
4. Fixez le couvercle de protection avant avec des vis à tête ronde plate M5 * 14.

Étape 5



Utilisez une clé pour tourner l'écrou excentrique pour régler le serrage de la roue de guidage et du rail de guidage.

M3*14 Vis*1
(Pro:M3*14 Vis*2)

Colonne de limite de l'axe Y*1
(Pro:Colonne de limite de l'axe Y*2)



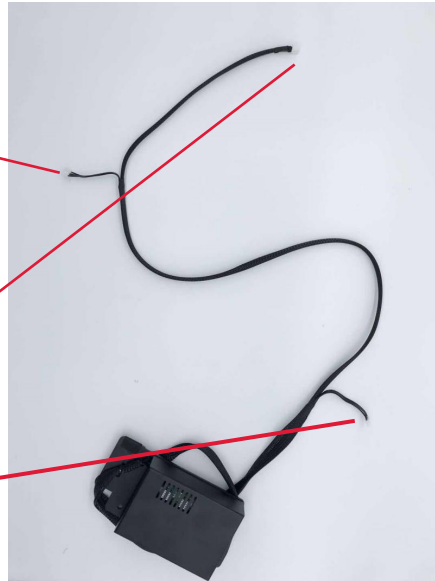
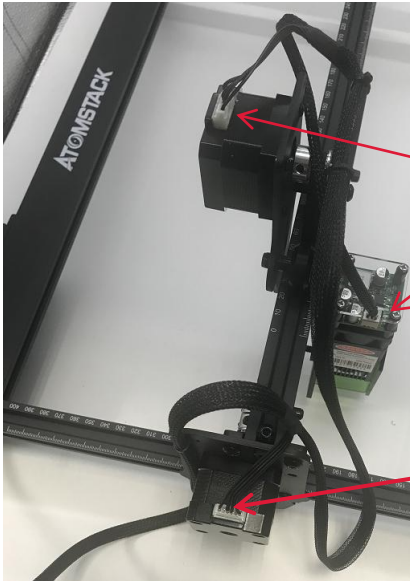
Installation Manual:

1. Comme indiqué sur la figure, fixez la colonne de limite de l'axe Y avec des vis M3 * 14 sur la glissière gauche.
2. Ajustez l'écrou excentrique pour vous assurer que les axes X et Y se déplacent en douceur sans trembler.

CONSEILS:

Comment déterminer l'étanchéité des écrous excentriques? À condition de garantir que le support ne secoue pas, vous pouvez soulever une extrémité de la machine à un angle de 45 degrés avec le plan horizontal et libérer le support d'axe X ou d'axe Y d'un endroit élevé. Si le support peut glisser à une vitesse constante jusqu'à la fin, l'étanchéité est appropriée.

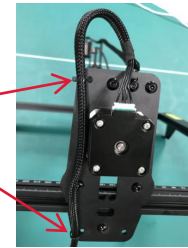
Étape 6 Installation des borniers et du faisceau de câbles



1



2



Installation Manuel:

1. Insérez les trois bornes de fil comme indiqué.
2. Comme indiqué sur la figure, attachez le trou de fixation de la machine et le faisceau de câbles avec un serre-câble pour éviter que la borne de câble ne se desserre.

Installation du logiciel

> 1. Atostack prend actuellement en charge les logiciels LaserGRBL et LightBurn.

> Le système d'exploitation Windows ne prend en charge que LaserGRBL. Voici le lien de téléchargement:

<http://lasergrbl.com/download/>

> Mac OS prend en charge à la fois LaserGRBL et Lightburn. Ceci est le lien de téléchargement: <https://lightburnsoftware.com/pages/trial-version-try-before-you-buy>

> 2. Si vous ne parvenez pas à connecter la machine de gravure et l'ordinateur, vous devez mettre à jour le pilote. (Pour plus d'informations, consultez le manuel d'instructions.) Dans LaserGRBL, cliquez sur "Outils". Pilote Linstall CH340 "Mettez à jour et installez le pilote, redémarrez l'ordinateur après la mise à jour, puis connectez-vous comme indiqué dans la figure ci-dessous.

Pour mettre à jour le pilote MacOS, connectez-vous au site Web <https://www.atomstack.net/pages/user-guides> et cliquez pour télécharger le pilote MacOS comme indiqué ci-dessous

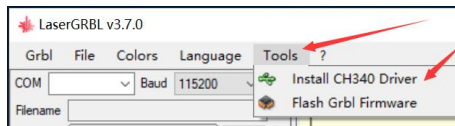


FIG. 1-1

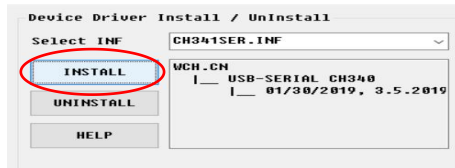
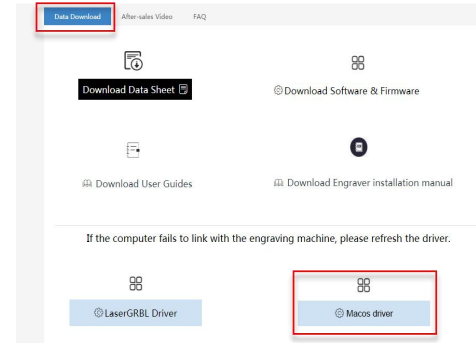


FIG. 1-2



Rechercher un manuel d'instructions multilingue:



APP du scanner:
Lecteur de code QR
/ Scanner de codes-barres
Ou n'importe quelle application avec scanner

Partie 5:Instructions d'entretien et avertissement

Ce produit utilise une conception hautement intégrée et ne nécessite aucun entretien. Cependant, si le système laser installé avec ce produit doit être réparé ou réglé, veuillez:

1.Débranchez le cordon d'alimentation du laser, de sorte que le laser soit en état de panne de courant;

2.Si vous avez besoin d'une assistance laser pour le réglage, veuillez:

1.Tout le personnel présent porte des lunettes de protection, un verre de protection OD5 + est nécessaire;

2.Assurez-vous qu'il n'y a pas de matériaux inflammables ou explosifs à proximité;

3.La position et la direction du laser sont fixées pour garantir que le laser ne se déplacera pas accidentellement et ne brillera pas sur les personnes, les animaux, les objets inflammables, explosifs et autres objets dangereux et précieux pendant le débogage.

4.Ne regardez pas les lasers.

5.Ne dirigez pas le laser sur l'objet miroir, de peur que la réflexion du laser ne provoque des blessures accidentelles.

Partie 6: Précautions pour les problèmes courants avec la machine de gravure

1. La connexion entre le logiciel et l'appareil doit sélectionner le bon port COM, sélectionner le débit en bauds: 115200 pour vérifier si l'interface de l'ordinateur et la connexion USB sont lâches.
2. Avant de graver, veuillez vérifier si chaque mécanisme est lâche (si la courroie de distribution, la colonne excentrique du rouleau et les composants de la tête laser sont desserrés ou secoués).
3. Ajustez correctement la mise au point et assurez-vous que la distance entre l'extrémité du couvercle de protection laser et la gravure est de 2 mm.
4. Le logiciel LaserGRBL / LightBurn peut utiliser le tableau des paramètres du manuel correspondant pour graver et découper divers matériaux. La gravure du métal du miroir nécessite un noircissement manuel de la surface.



Service Clients:

Ø Pour une politique de garantie détaillée, veuillez visiter notre site Web officiel à:

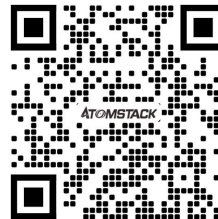
www.atomstack.net

Ø Pour le support technique et le service de machine de gravure laser, veuillez envoyer un courriel à:

support@atomstack.net

Fabricant: Shenzhen AtomStack Technologies Co., Ltd.
Adresse: 202, Building 1, Mingliang Technology Park, No. 88 Zhuguang North Road, Taoyuan Street, Nanshan District, Shenzhen, Guangdong, China

Scannez le code pour entrer dans le groupe d'échange de machines à graver:



APP du scanner:
Lecteur de code QR
/ Scanner de codes-barres
ou toute application avec
scanner